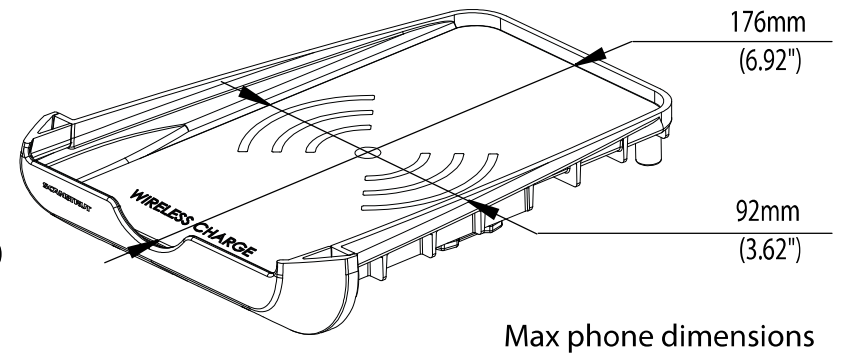
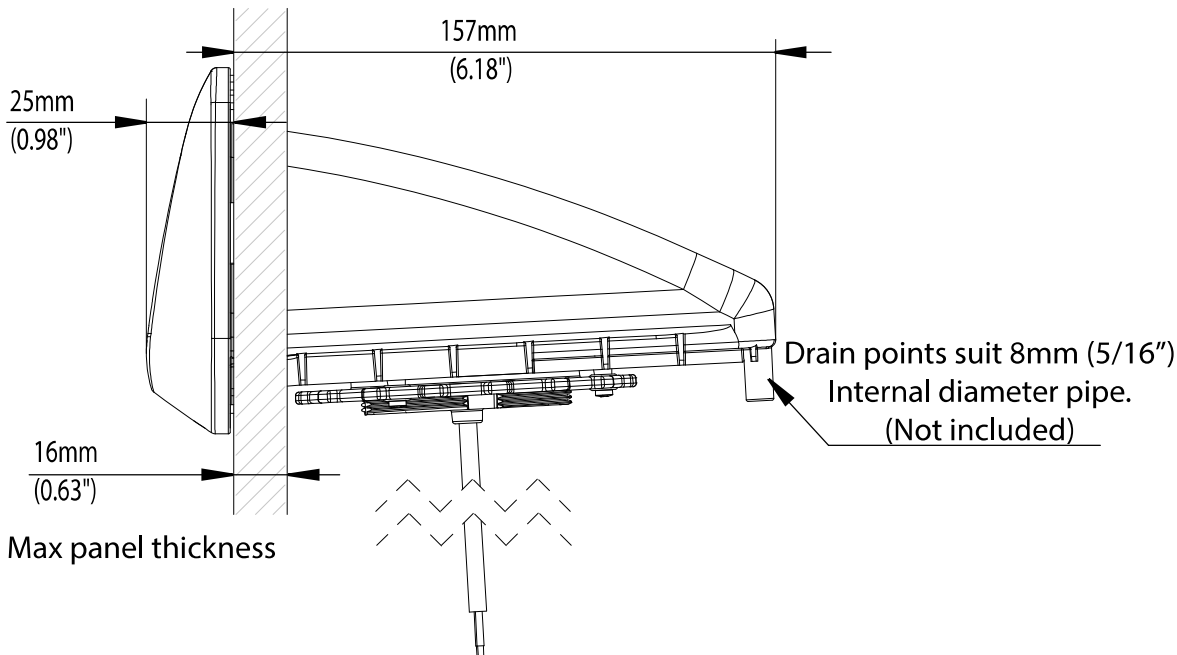
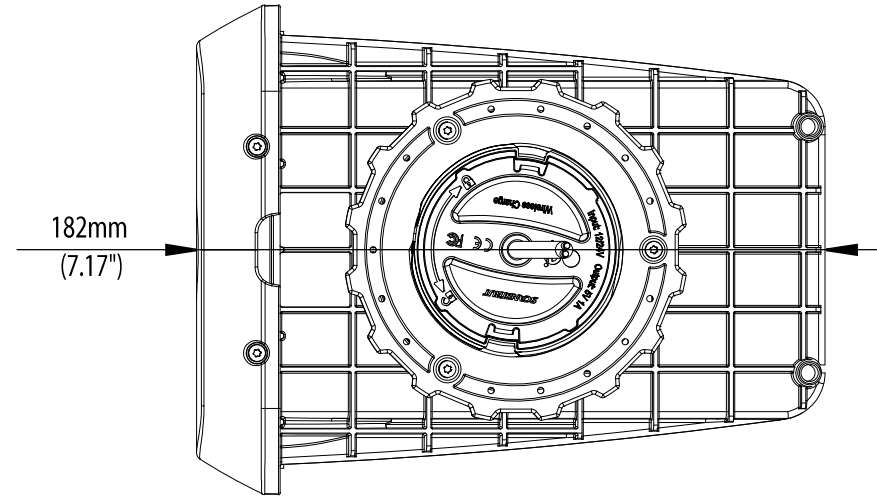
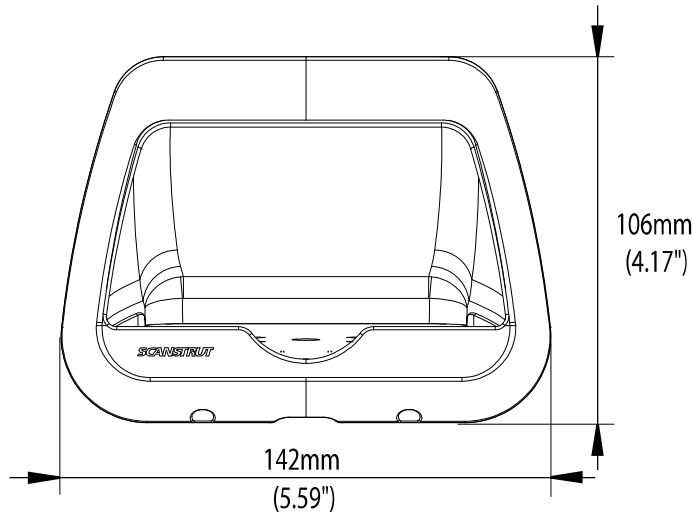


# ROKK Wireless - Nest. - **SC-CW-06E**

Email: [sales@scanstrut.com](mailto:sales@scanstrut.com)

Email: [usasales@scanstrut.com](mailto:usasales@scanstrut.com)



**SCANSTRUT**

# ROKK Wireless - Nest - SC-CW-06E

Email: sales@scanstrut.com

Email: usasales@scanstrut.com

Drill x4 holes for No.6 Screws

Suggested pilot holes:

| Material  | No. 6 Screw      |
|---|------------------|
| Soft Material<br>e.g. plywood                           | 2.5mm<br>(3/32") |
| Hard Material<br>e.g. fiberglass,<br>acrylic, hardwoods | 3mm<br>(1/8")    |

